

MA-BSH is an addressable sounder beacon base that offers both sound and flashing-light alerts. Comes with built-in tone and volume adjustment, with high-powered LED beacon that provides audible and visual alarm signals of the hearing impaired. Ideal for use in public and commercial spaces that require efficient solutions for the general public.



System Functionality:

- Dual functionality: a sensor mounting base (MA-320, MA-330 and MA-340 sensors to be fitted directly to the base), which can also serve as a dedicated discreet standalone device (special cover plate can be placed on base)
- Provides a single-point connection for sounder and detectors
- Suitable for use in public and commercial spaces and meets EN54-23 for alarms for the hearing impaired.
- Discreet, clean appearance with few installation points
- Excellent sound output with built-in horn tone selection and volume adjustment
- Loop powered, low-power consumption.
- Built-in short circuit isolators
- Soft addressed

Features & Benefits:

- Easy to install and maintain: surface mounted, simple clip-fixing assembly
- Lockable cover plate (optional)



Technical Specifications:

Code	MA-BSH
Description	Addressable Sounder Beacon Base
Standards	EN54-3, SII 1220 and TR TC EAC 043-2017

Specification

Operating Voltage	18VDC to 32VDC
Standby Current	<450mA
Tones (Set by Panel)	Continuous: 910Hz
	Pulsed: 910Hz/0Hz pulse 1Hz
	Two tone: 610/910Hz at 1Hz Cycle
	Slow whoop: 500-1200Hz in 3.5 Seconds
Sound Output at +/-3dB (Set by Panel)	Low volume: 88dB at <6.6mA
	Medium volume: 90dB at <8mA
	High volume: 93dB at <9mA
Beacon	0.5 Hz flash
Total loop resistance for correct operation of short circuit isolator:	50Ω (max)
Parallel fault resistance to be seen at the control panel for isolators to open:	200Ω (typ)
Continuous current allowable through isolator:	700mA (max)
Isolator resistance in closed state:	0.26Ω (max)
Leakage current into direct short circuit with isolator open:	14mA (max)
Voltage at which isolator changes from open to closed or closed to open state:	3.8V to 11V
Maximum switching current of isolator:	1.5A

Environmental

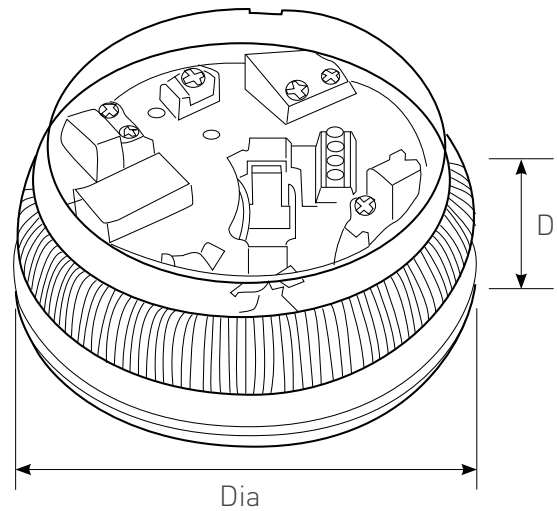
Environmental Operating Temperature	0 - 49°C
Humidity (Non-Condensing)	0 - 93% RH

Physical

Construction	PC/ABS
Weight	0.2 kg
Ingress Protection	IP21

Compatibility

Suitable For Use With	MTech Analog Addressable Detector range
-----------------------	---



Dimensions:

Dia. 102 mm | **D.** 40 mm



Order Code:

MA-BSH