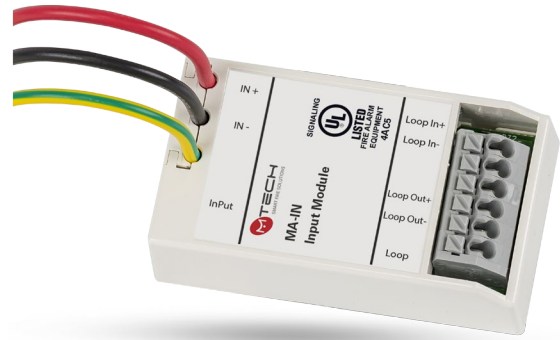


MA-IN | Addressable Interfaces

Micro, single-channel input interface that enables the connection of non-addressable applications to an addressable fire alarm system. Fire and non-fire applications may include volt-free contacts such as sprinkler system flow switches, auxiliary panel fire/fault signals, and non-fire input signals like flow valve open contacts, generator start up, fire door closed and others. The unit is compatible with the MA family of analog addressable fire control panels.

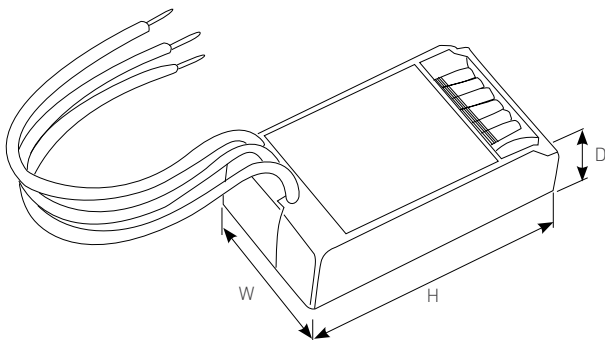


System Functionality:

- Soft-addressed compact interface fitted for short-circuit isolators
- Provides a single address for up to 200 units per loop
- Panel identifies equipment connected to the loop by name and address thanks to an auto-learning process
- Built-in short-circuit isolator
- Inputs monitored for open and short circuit fault conditions
- Suitable for monitoring normally open volt free contacts

Features & Benefits:

- Quick and simple to install
- Small & compact
- No hard addressing required



Technical Specifications:

Code	MA-IN
Description	Addressable Micro Single Channel Input Unit, UOXX.36306
Standards	UL864 10th Edition, SII1220, TR TC EAC 043-2017

Specification

Operating Voltage	18 - 30VDC
Quiescent Current	< 310µA

Inputs

Trigger Resistance	5K6Ω
End of Line Resistance	22KΩ
Short Circuit Fault Threshold Resistance	1KΩ
Open Circuit Fault Threshold Resistance	33KΩ

Environmental

Environmental Operating Temperature	0 - 49°C
Humidity (Non-Condensing)	0 - 93% RH

Physical

Construction	PC/ABS
Weight	0.078 kg
Ingress Protection	IP40

Compatibility

Suitable for Use With	MTech Analog Addressable Fire System
-----------------------	--------------------------------------

Dimensions:

W. 35 mm | H. 63 mm | D. 18.5 mm



Order Code:

MA-IN