

MA-NET | Addressable Network Interfaces

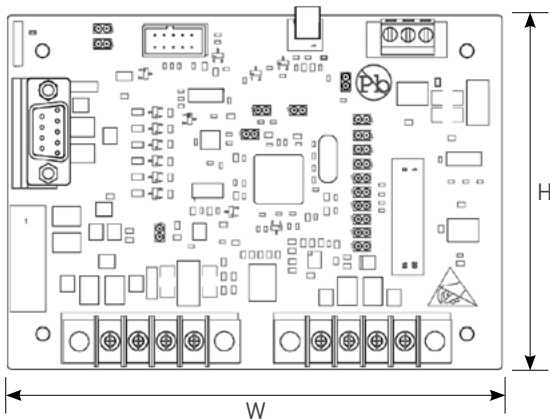
MA-NET is a network card used to create a network of up to 64 MTech analog addressable fire alarm control panels with global programming and advanced global monitoring capabilities. It can also be used as a network repeater to expand the distance between panels by up to 8km.

System Functionality:

- TCP/IP interface
- Connection interface to M-1, MA-1, MA-1000 and MA-1000A fire alarm control panels; optional connection: (OR)-RS232 insulated and RS485
- Includes two operation modes: Class X (up to 64 addresses) and Class B (up to 64 addresses)
- Repeater (line boosters) up to seven units per network
- Optional ModBUS
- Includes a status indicator for each channel

Features & Benefits:

- Quick and simple and cost-effective installation
- Easy to expand existing system using existing wiring
- Plug- and-play with no hard addressing required



Dimensions:

W. 140 mm | H. 100 mm | D. 20 mm

Order Code:

MA-NET (for RS-485)

MA-NET TCP/IP (for TCP/IP)



Technical Specifications:

Code	MA-NET
Description	Network Card, Fire Alarm Equipment UOXX.S36158
Standards	UL864 10th Edition, SII1220 and TR TC EAC 043-2017

Specification

Operating Voltage	24VDC
Current Consumption	Up to 101.7mA
Optional Interface	ModBUS
Programming Port	Mini USB
Output Ports	RS-485/232 and RS-485/TCP/IP

Net

Interface Type	RS485
Interface Signals	Data+, Data -, 0 V, GND. galvanic insulation
Data Transfer Rate	9,600 - 56,700bps distances up to 1000 m; optional repeater (line boosters), 1 km true peer-to-peer network

Environmental

Environmental Operating Temperature	0 - 49°C
Humidity (Non-Condensing)	0 - 93% RH

Physical

Weight	0.2 kg
Ingress Protection	IP00

Compatibility

Recommended Loop	MA-1000 Cooper loop card MA-1000A Apollo loop card
Suitable for Use With	MTech Analog Addressable Fire System MA-Monitoring Graphical Management Software

