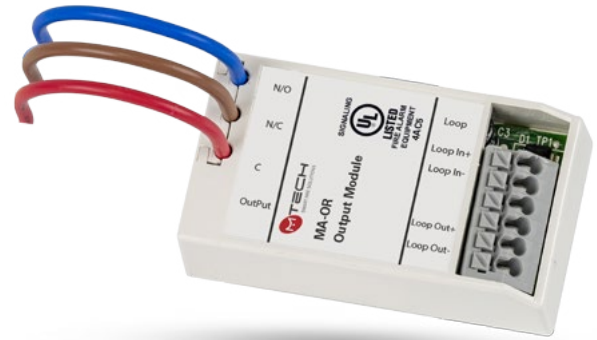


Micro, single-channel output unit for activating low voltage circuits (24VDC at 1A maximum) such as fire door retainers, HVAC, and plant shutdown control circuits, using a set of non-latching relay contacts. The unit is designed for the MA family of analog addressable products, and suitable for systems with hundreds of devices.

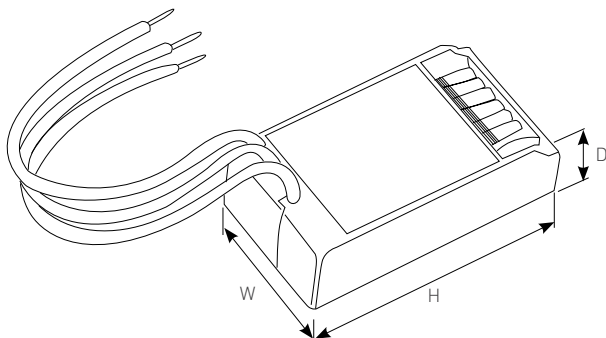


System Functionality:

- Soft-addressing automates the assignment of addresses
- Panel identifies equipment connected to the loop by name and address thanks to an auto-learning process
- Single address with up to 200 units per loop
- Loop integrity and reliability of fire detection and alarm systems is kept thanks to short-circuit isolators

Features & Benefits:

- Quick and simple to install
- Small & compact
- Plug-and-play with no hard addressing required
- Can be programmed on site or by using the MTECH site installer software on PC



Technical Specifications:

Code	MA-OR
Description	Addressable single channel output unit, UOXX.S36306
Standards	UL864 10th Edition, SII1220, TR TC EAC 043-2017

Specification

Operating Voltage	18 - 30VDC
Quiescent Current	< 310µA

Output Relay

Switching voltage	24-30VDC
Contact rating	1A
Switching power	30 Watts
Max line impedance	16Ω

Environmental

Environmental Operating Temperature	0 - 49°C
Humidity (Non-Condensing)	0 - 93% RH

Physical

Construction	PC/ABS
Weight	0.078 kg
Ingress Protection	IP40

Compatibility

Suitable for Use With	MTECH Analog Addressable Fire System
-----------------------	--------------------------------------

Dimensions:

W. 35 mm | H. 69 mm | D. 18.5 mm



Order Code:

MA-OR