

MB-230 | Conventional Detectors

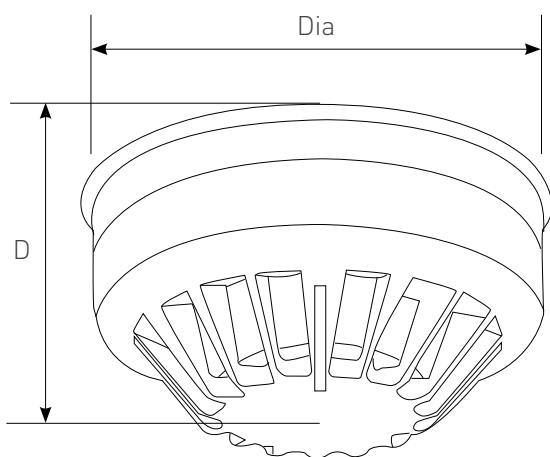
MB-230 is a fixed-heat conventional detector which detects both rapid increases in temperature, and temperatures of above +60° C or 92° C (depending on switch selection). It offers accurate and reliable fire detection in challenging environments, where there are high levels of dust, fume, steam, and smoke, and other conditions that may typically set off a false alarm.

System Functionality:

- Operates on low current
- 360° view, red LED indicates alarm on

Features & Benefits:

- Quick and simple to install, operate and service
- Removable detector chamber for cleaning
- Simple clean design
- Maintenance trouble notification
- Removable detector chamber
- Wiring via common mounting base
- Drift compensation
- Lock which opens only with special tool, to prevent unauthorized sensor removal



Dimensions:

Dia. 101 mm | **D.** 33 mm | **D (Incl. Base).** 45 mm

Order Code:

MB-230



Technical Specifications:

Code	MB-230
Description	Conventional Heat Detector, UQGS.S36306
Standards	UL268 6th Edition, EN54-7, SII1220, TR TC EAC 043-2017

Specification

Operating Voltage	15V dc to 30V dc
Voltage Waveform	Filtered DC, ± 1V max ripple at 120Hz
Standby Current (Average)	70µA
Surge Current (Max)	340µA
Alarm Current (Max)	Must be limited externally to 40mA
Start-Up Time	20 seconds
Heat Element Rating	60°C - 77°C - 92°C
Reset Time (Max)	2 seconds
Mounting Position	Ceiling at walls in open areas
Mounting Options	Conventional MB-300 detector base
Area Coverage	50m ² (subject to local standard)
Indication	360° visibility light pipe

Environmental

Environmental Operating Temperature	0 - 49°C
Humidity (Non-Condensing)	0 - 93% RH

Physical

Construction	PC/ABS
Color	White
Weight	0.120 kg

Compatibility

Suitable for Use With	MTech Conventional System
-----------------------	---------------------------

