

MB-FL | Conventional Sounders and VADs

MB-FL is a conventional audible and visual sounder beacon for use in public areas which require a visual solution for the hearing impaired, or areas with which are extremely noisy; its high light output maximizes its ability to attract attention. The unit is designed to be installed from a single point, is less obtrusive than using a combination of two separate devices, and offers a time and costs effective installation. Suitable for the MTech's MB family of conventional fire alarm systems

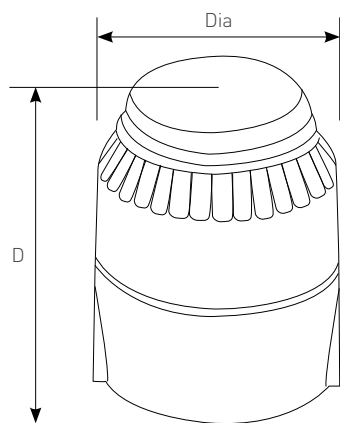


System Functionality:

Combining an audible alarm and a visual alarm, the MB-FL is less obtrusive than having two separate devices. The beacon features a high light output, maximizing its potential to attract attention.

Features & Benefits:

- High output sounder beacon
- Automatic sounder synchronization
- Up to 103dB(A) with built in Xenon flash
- Improved tone clarity
- Suitable for a variety of applications



Dimensions:

Dia. 93 mm | **D.** 92 mm | **D (WP).** 121 mm



Order Code:

MB-FL

MB-FLWP (Waterproof version)

Technical Specifications:

Code	MB-FL
Description	Conventional Sounder Beacon
Standards	EN54-23, SII1220, TR TC EAC 043-2017

Specification

Operating Voltage	18VDC to 28VDC
Current	68mA (typical tone 3)
Sound Output	101dB(A) at 1 meter (typical tone 3)
Tones	Preset to tone 3, 32 tones available
Flash Power	0.7j
Flash Rate	1Hz
Volume Control	10dB
Monitoring Reverse	Polarity

Environmental

Environmental Operating Temperature	0 - 49°C
Humidity (Non-Condensing)	0 - 93% RH

Physical

Construction	ABS/ PC lens
Color	Red
Lens color	Red
Weight	0.33 kg

Compatibility

Suitable for Use With	MTech Fire Alarm Conventional System
-----------------------	--------------------------------------